

## WEAPON GUIDE

# M72 LAW

SMALL ARMS REVIEW TEAM

## ROCKET PROPELLED GRENADE LAUNCHER



The American M72 LAW (c. 1963) is much improved variant of the Panzerfaust developed in Germany during WWII as a single use anti-tank

effective range (thanks in part to the vastly improved sights).

The M72 was originally developed as an anti-tank weapon using single-stage

the lighter armor on top by firing down from a vantage point like a building or cliff.

Dedicated anti-personnel rounds and anti-structure

### RECOMMENDED ACCESSORIES

#### Handbook

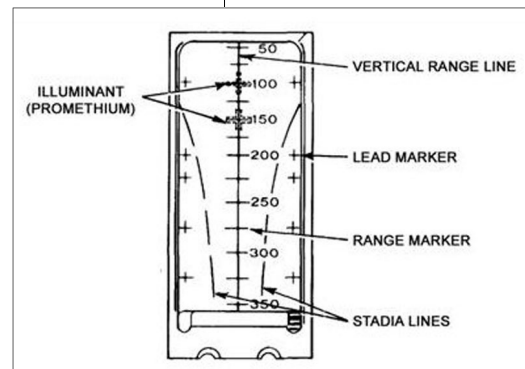
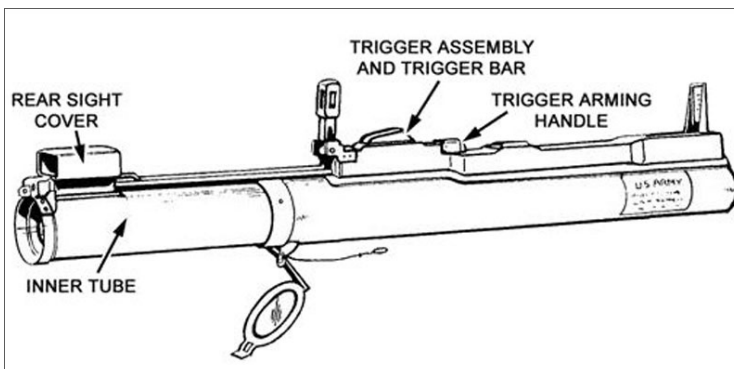
FM 3-23.35 Shoulder-Launched Munitions.  
[US Army]

#### Ear Plugs

EarPro EP3 or EP4.  
[SureFire]

### SPECIFICATIONS

Weight: 2.3-3.6 kg (5.1-8 lbs)  
Unarmed Length: 630-775 mm  
Armed Length: 881-980 mm  
Grenade Velocity: 145-200 m/s  
Effective Range: 200 m



grenade launcher.

Whereas Panzerfaust grenades were propelled solely by a gunpowder charge that was burned up within the launching tube, the M72 has a solid fuel rocket which greatly increases the velocity and

HEAT warheads, but as tank armor has greatly improved since the early 1960s it is much less likely that it could be used to successfully stop a main battle tank, though it could disable such a tank by hitting a vulnerable point like a track or

variants have been developed that make them very useful in urban combat.

Copies of the M72 have been produced by a number of nations, notably Russia in the form of the RPG-18, RPG-22 and RPG-26.

### HOT TIP

Moving vehicles are best engaged within 100 meters to ensure a high hit probability.