

APPENDIX A
THREAT HAND GRENADES

This appendix provides general information on common Threat hand grenade identification, functions, and capabilities. Although the Warsaw Pact nations have an extensive inventory of hand grenades, the majority of these grenades are Soviet-made. As with most Warsaw equipment, older hand grenades remain in circulation and use long after being classified obsolete.

A-1. RGN

Type: fragmentation, offensive.

Weight: 31 ounces.

Body Material: aluminum.

Filler Weight: 115 grams.

Filler Material: RDX.

Fuze Type: sleeve or socket.

Fuze Delay: 3.3 and 4.3 seconds or impact.

Range Thrown: 25 to 45 meters.

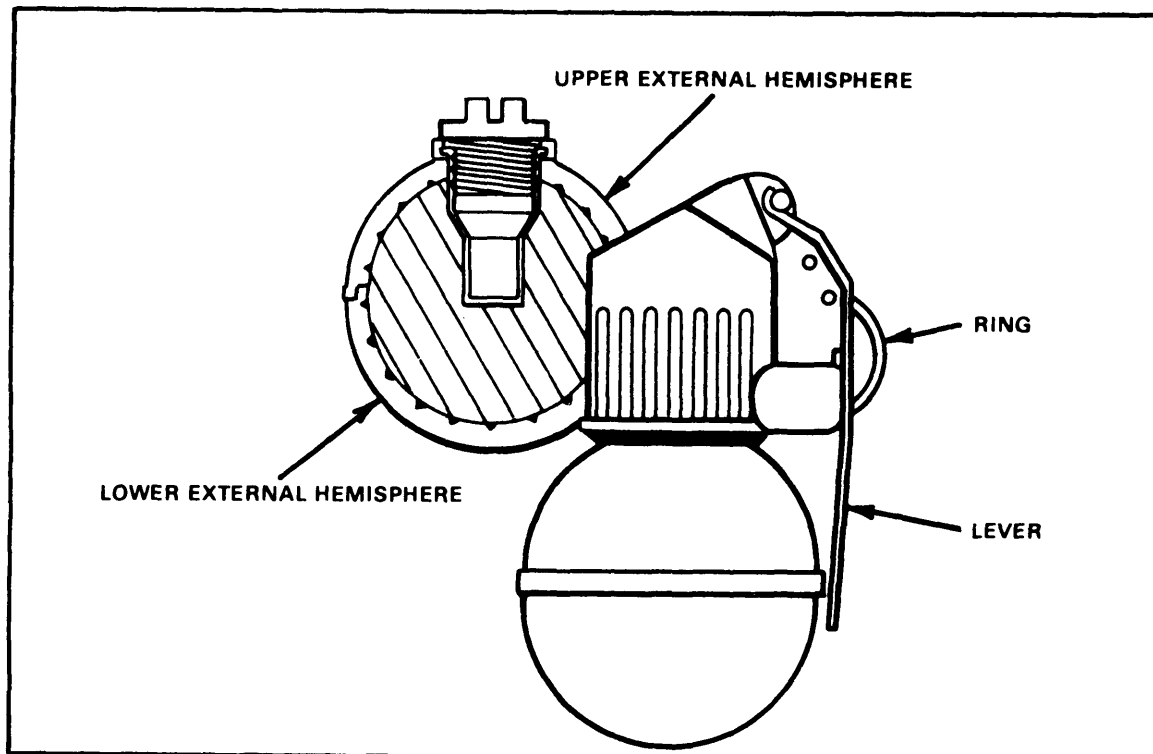


Figure A-1. RGN grenade.

A-2. RGO

Type: fragmentation, defensive.

Weight: 53 ounces.

Body Material: aluminum.

Filler Weight: 92 ounces.

Filler Material: RDX.

Fuze Type: sleeve or socket.

Fuze Delay: 3.3 and 4.3 seconds or shock of impact.

Range Thrown: 25 to 45 meters.

Effective Fragment Radius: 100 meters.

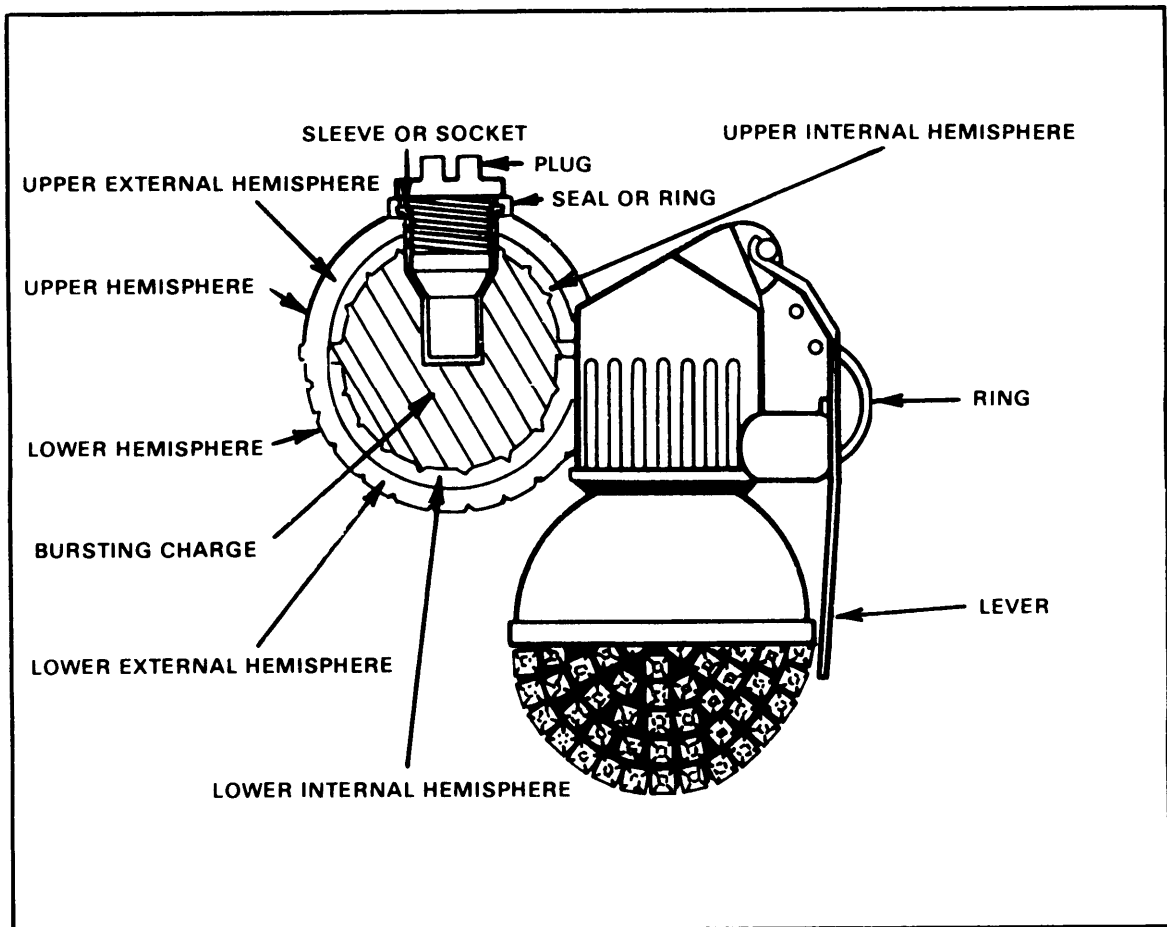


Figure A-2. RGO grenade.

A-3. F1

Type: fragmentation, defensive.

Weight: 60 ounces.

Length: 124 millimeters.

Maximum Diameter: 55 millimeters.

Body Material: cast iron.

Filler Weight: 60 ounces.

Filler Material: TNT.

Fuze Type: delay.

Fuze Delay: 3.2 to 4.2 seconds.

Range Thrown: 30 meters.

Effective Fragment Radius: 15 to 20 meters.

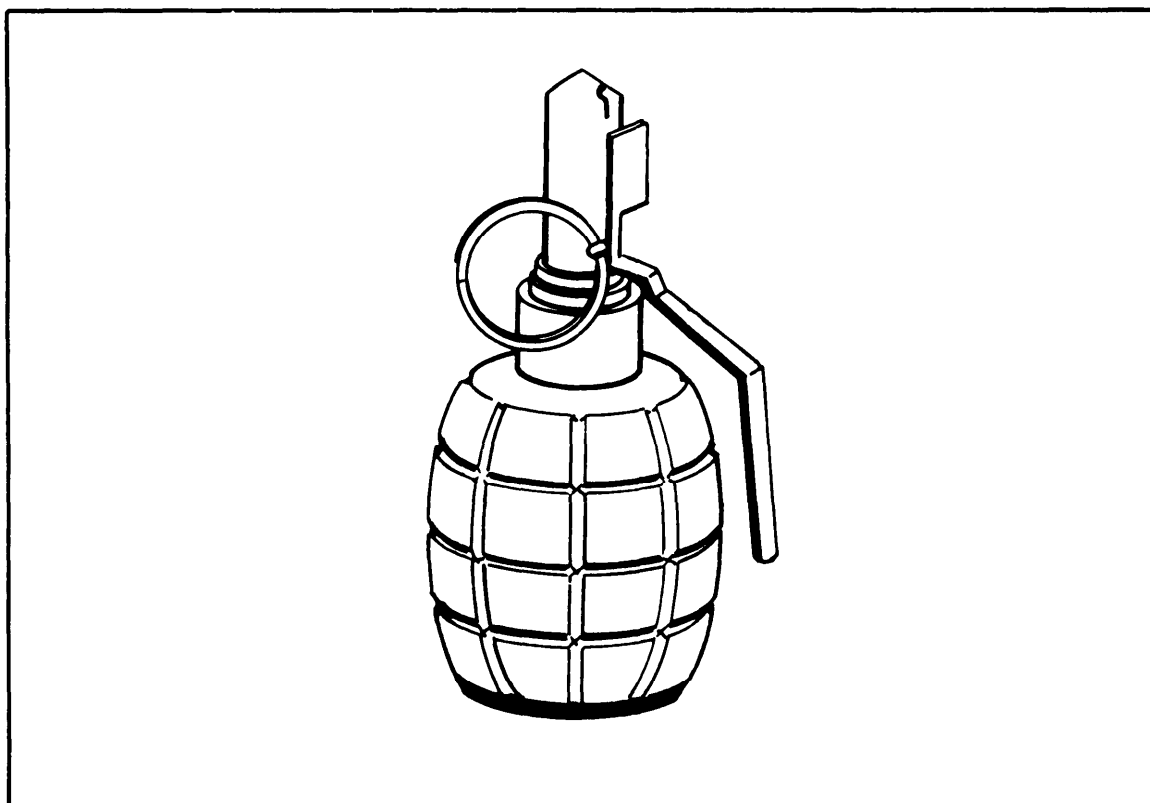


Figure A-3. F1 grenade.

A-4. RKG-3M

Type: antitank (replaces RPG-40, RPG-43, and RPG-6).

Weight, With Fuze: 1.07 kilograms.

Weight of HE Filling: 567 grams.

Type of HE Filling: TNT/RDX.

Penetration: 165 millimeters.

Fuze Type: instantaneous impact.

Effective Fragment Radius: 20 meters.

Length: 362 millimeters.

Maximum Diameter: 5.56 millimeters.

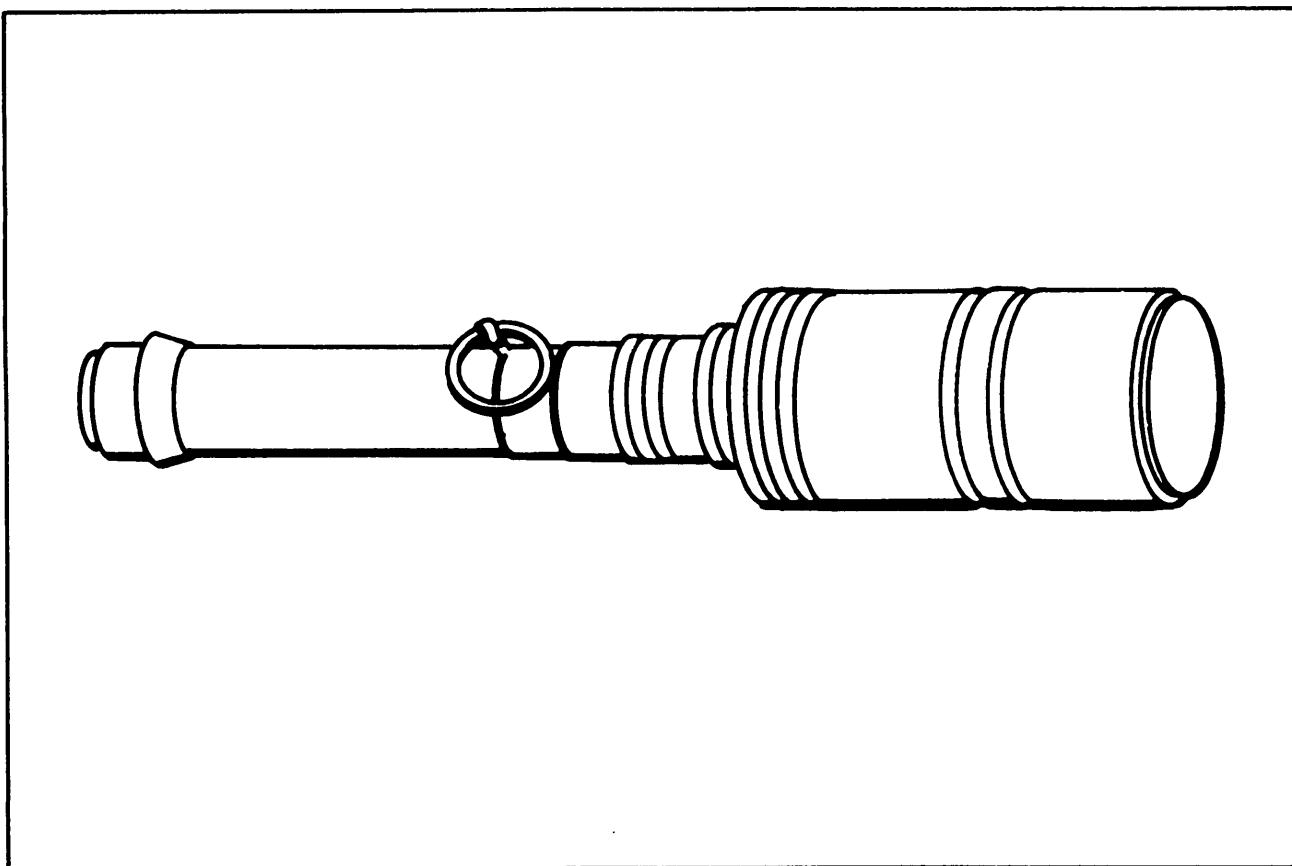


Figure A-4. RKG-3M grenade.

A-5. RGD-5

Type: fragmentation.

Weight: 31 ounces.

Length: 114 millimeters.

Diameter: 57 millimeters.

Weight of Filling: 11 ounces.

Type of Filling: TNT.

Fuze: 3.2 to 4.2 seconds delay UZRG.

Range Thrown: 30 meters.

Effective Fragment Radius: 15 to 20 meters.

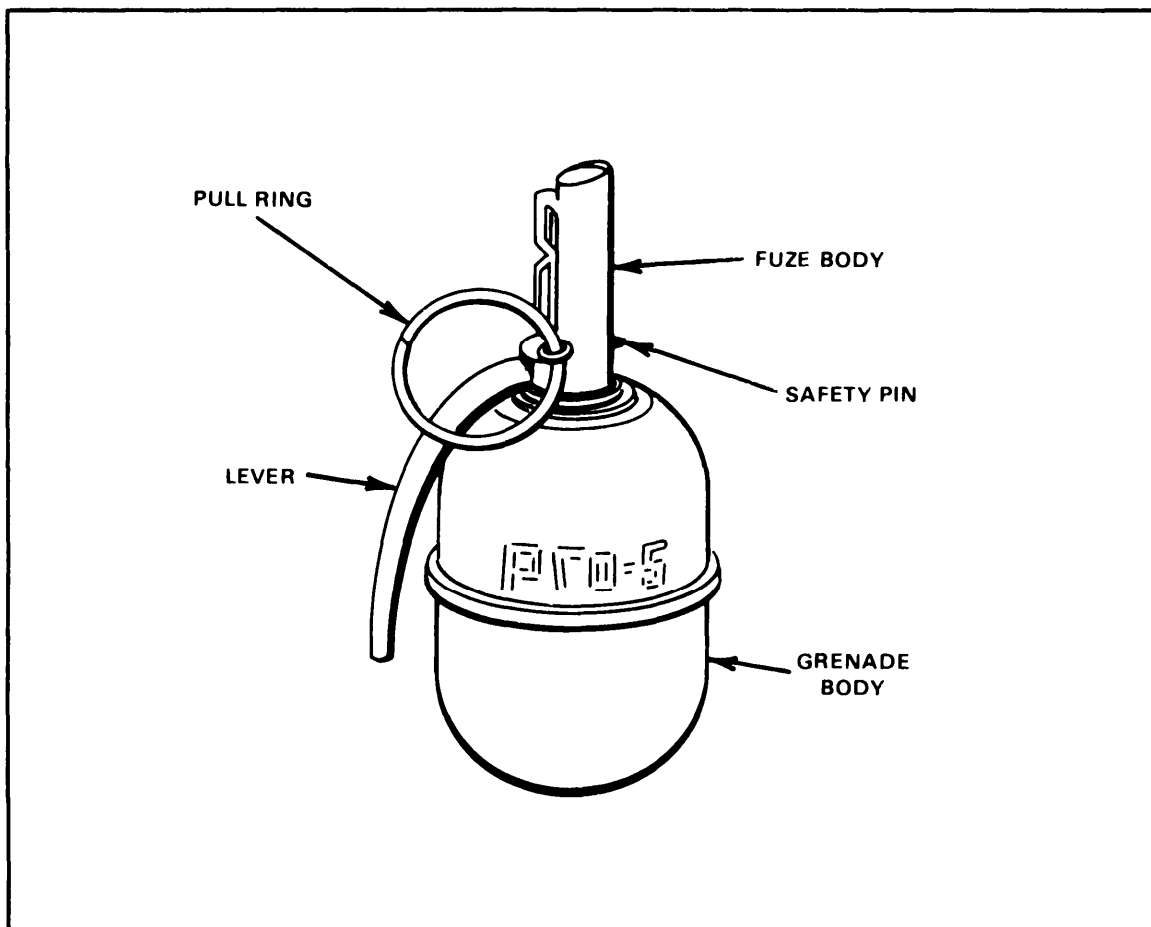


Figure A-5. RGD-5 grenade.

A-6. RG42

Type: fragmentation.

Weight: 436 grams.

Length: 121 millimeters.

Maximum Diameter: 54 millimeters.

Body Material: steel.

Filler Weight: 118 grams.

Filler Material: pressed TNT.

Fuze Type: delay.

Fuze Delay: 3 to 4 seconds.

Identifying Markings: P-42.

Range Thrown: 35 meters.

Effective Fragment Radius: 2 to 5 meters.

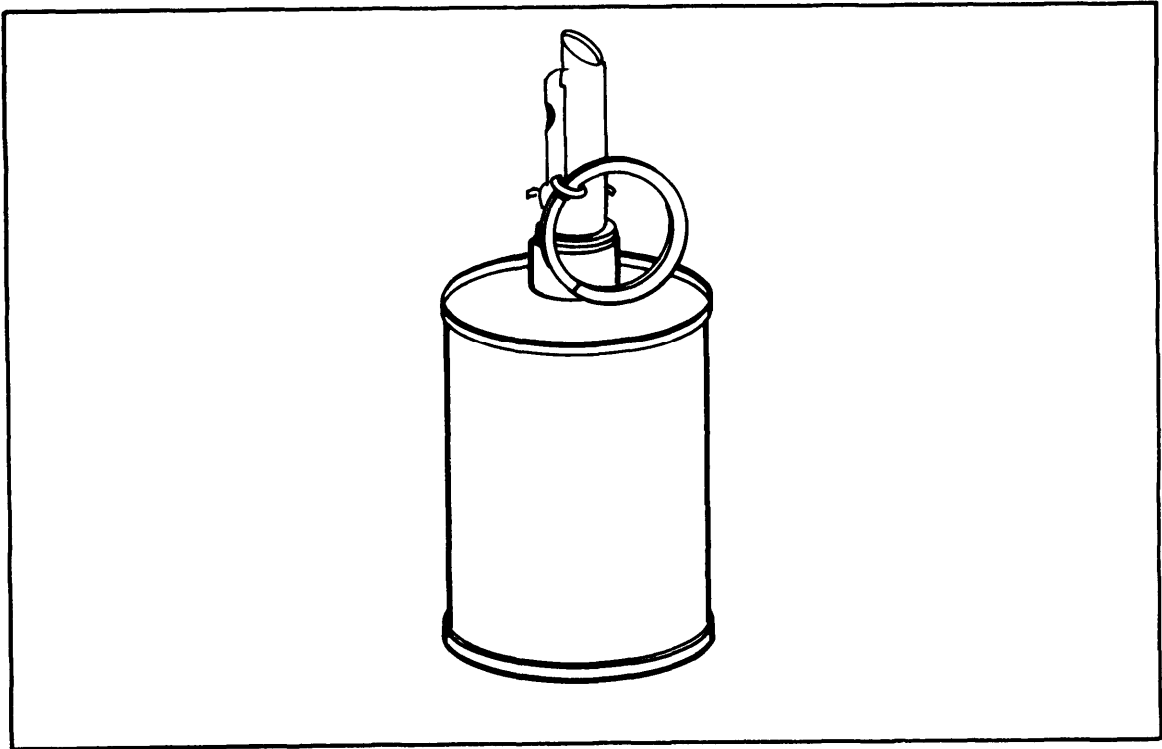


Figure A-6. RG42 grenade.

A-7. RGD-1

Type: smoke.

Burning Time: 1 to 1 1/2 minutes.

Average Smoke Area: 460 square meters.

Throwing Distance: 35 meters.

Weight: 500 grams.

Length: 222 millimeters.

NOTE: It is waterproof and it floats. It is capable of screening water operations with white or black smoke.

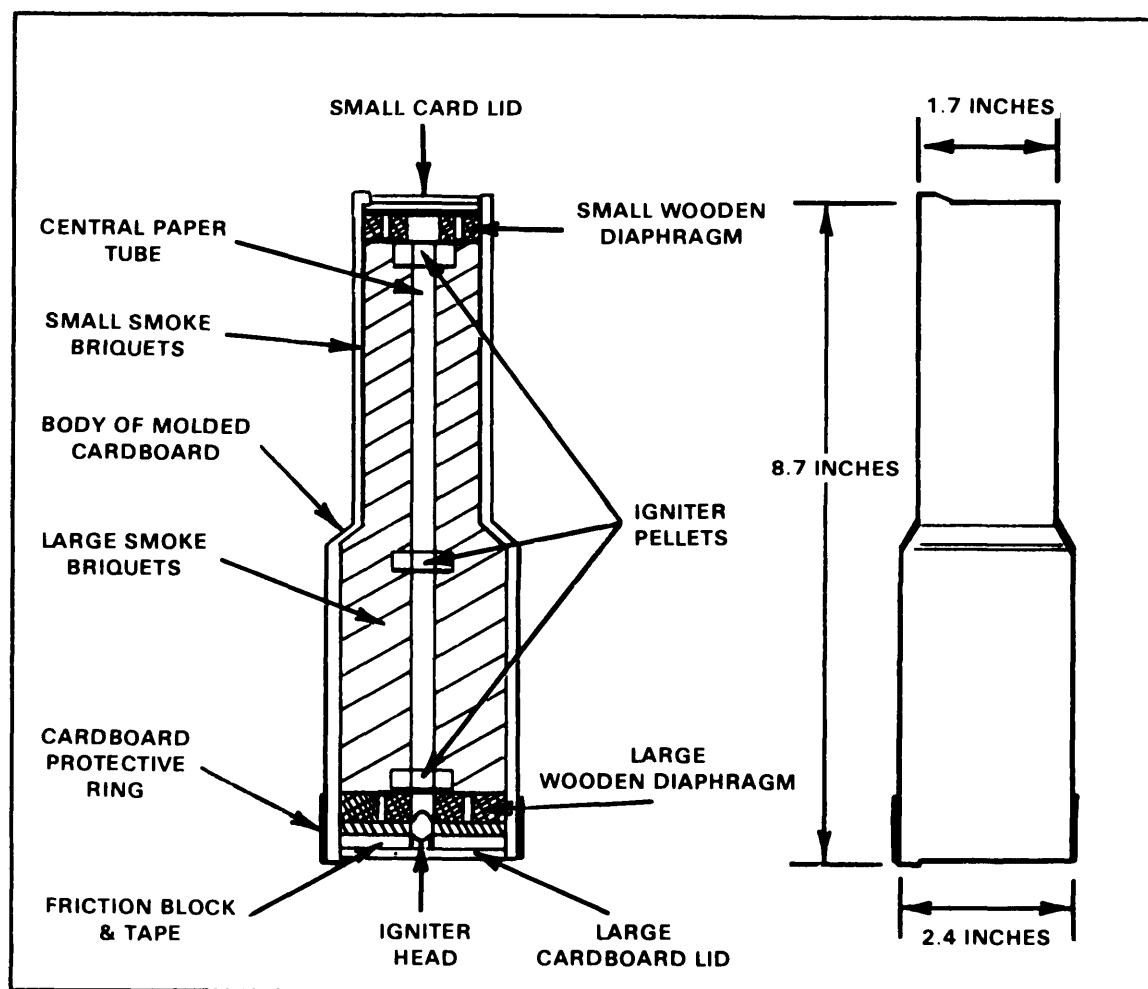


Figure A-7. RGD-1 smoke grenade.

A-8. RGD-2

Type: smoke.

Burning Time: 1 1/2 minutes.

Average Smoke Area: 160 square meters.

Throwing Distance: 35 meters.

Weight: 500 grams.

Length: 240 millimeters.

NOTE: It is damp proof, but it cannot support water operations.

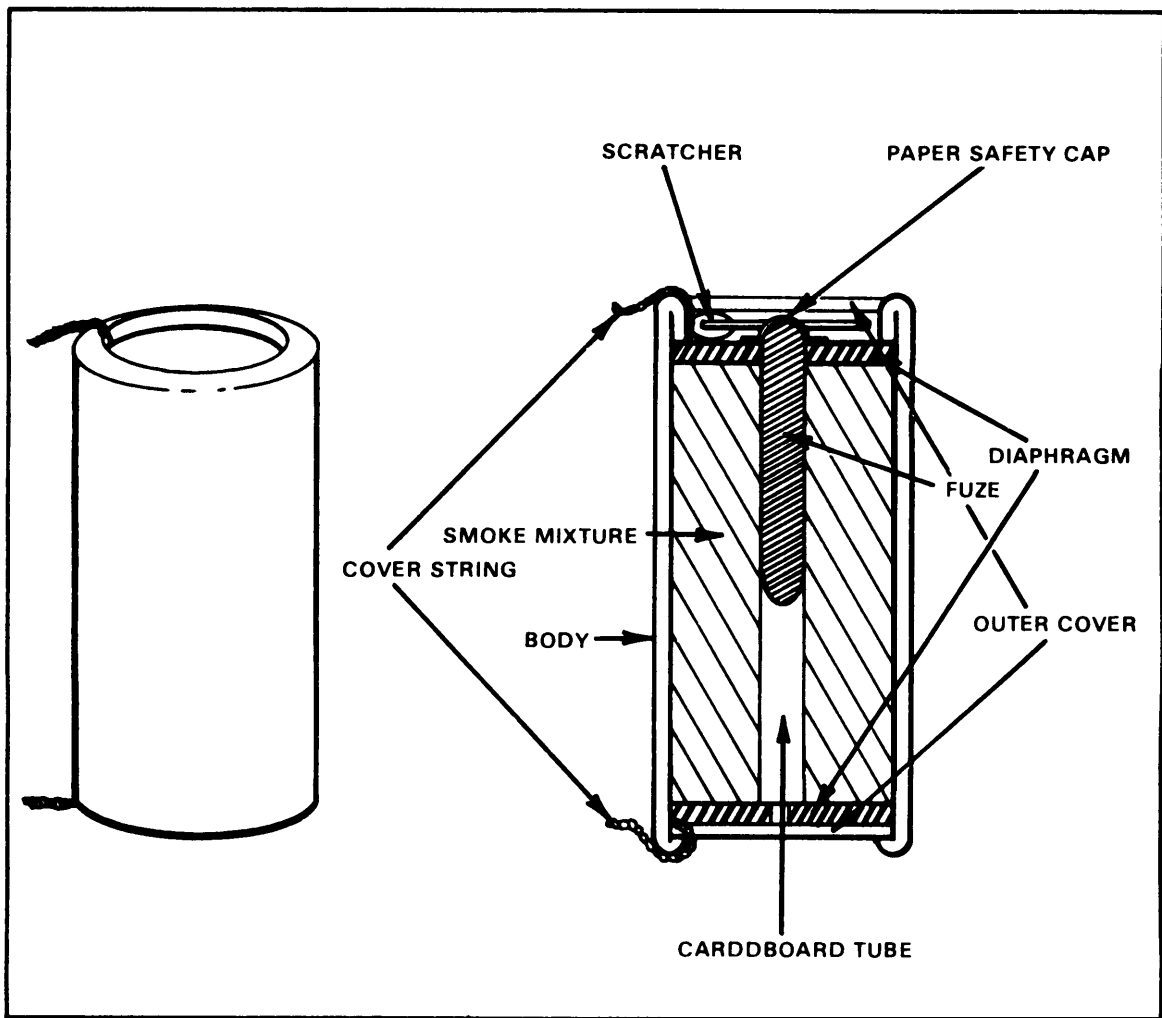


Figure A-8. RGD-2 smoke grenade.